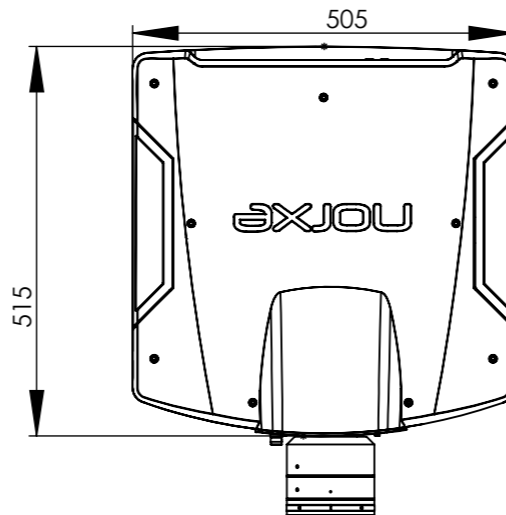
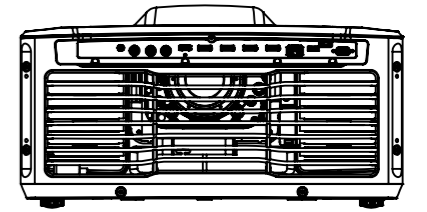
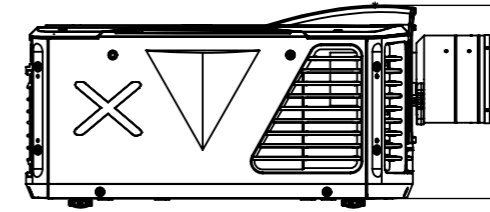
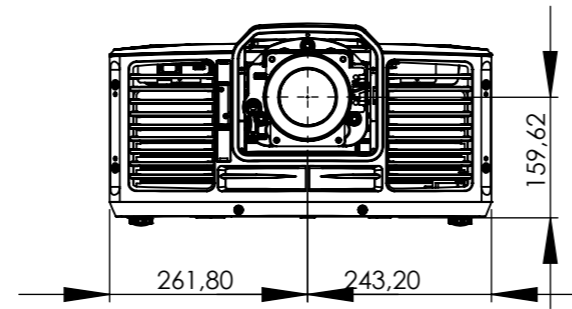
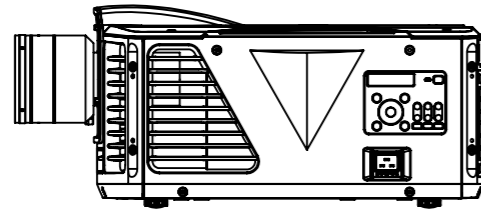
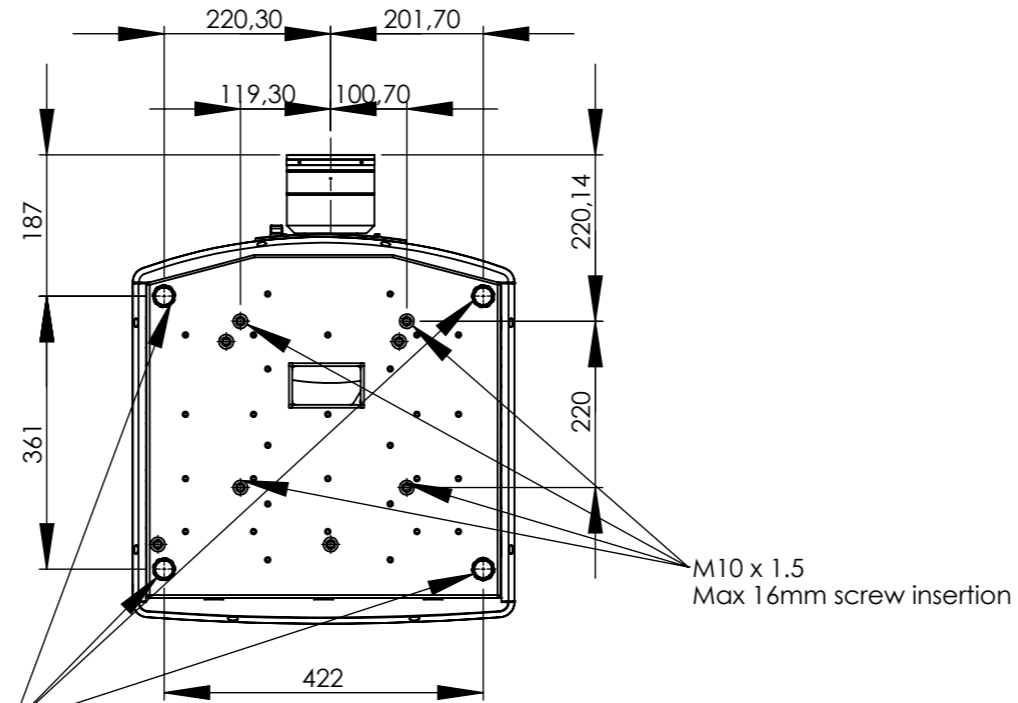


4x Removable feet  
M10x1.5  
Max 16mm Screw insertion



## PRELIMINARY DRAWING SUBJECT TO CHANGE WITHOUT PRIOR NOTICE

Changed Date	Changed By	Approved Date	Approved By	Changed Description			Revision
Designed Date	Designed By PR	Approved Date	Approved By	General Tolerance	Surface Ra mm	Sheet Size A3	European Projection
Weight	Dimension	Material	Deburr Edges	Scale 1:10			Revision
P60 4K w/ N1							Document No.
						Document Type	